

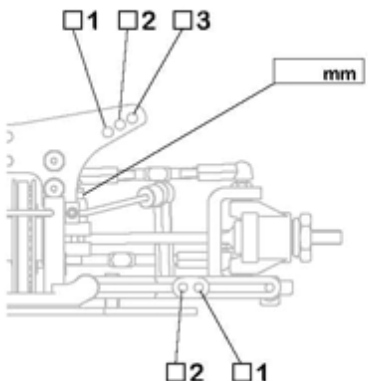
1/10 Scale EP Touring Car

"Scythe" Setup Sheet for _____

Name _____ Date _____ Humidity _____ % Air Temp. _____ °C

Track _____ Track Condition bad 1 2 3 4 5 good Track Temp. _____ °C

Front Suspension



mm

mm

mm

mm

FR. Drive

Stabilizer Bar ϕ

Stick out mm

mm

mm

Notes

Sus. Mount $\begin{matrix} F \\ R \end{matrix}$ Sus. Mount Spacer $\begin{matrix} F \\ R \end{matrix}$ mm mm

Shock Absorber

Front rear

Piston & Holes _____

Oil _____

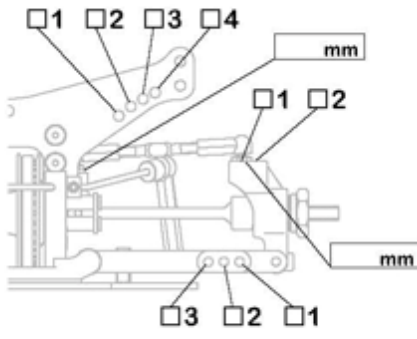
Spring _____

Diaphragm _____

Form _____

Other _____

Rear Suspension



mm

mm

mm

mm

Stabilizer Bar ϕ

Stick out mm

mm

mm

Notes

Sus. Mount $\begin{matrix} F \\ R \end{matrix}$ Sus. Mount Spacer $\begin{matrix} F \\ R \end{matrix}$ mm mm

Tire

Front rear

Brand _____

Insert _____

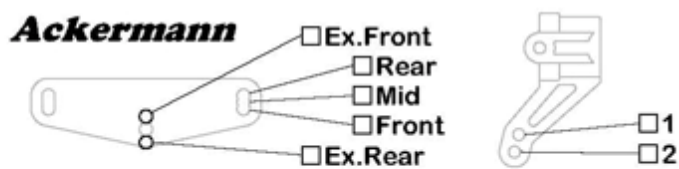
Wheel _____

Additive _____

Spread Area

FL.	FR.	RL.	RR.

Ackermann



Ex.Front

Rear

Mid

Front

Ex.Rear

1

2

Power Source

Motor _____ Battery _____

Rotor _____

Brush _____

Spring _____

Timing _____

Gear Ratio

Spur _____

Pinion \div _____

2nd Reduction \times 2.200

Over All Ratio _____

Radio

Transmitter _____

Receiver _____

Servo _____

ESC _____

Body

Wing
